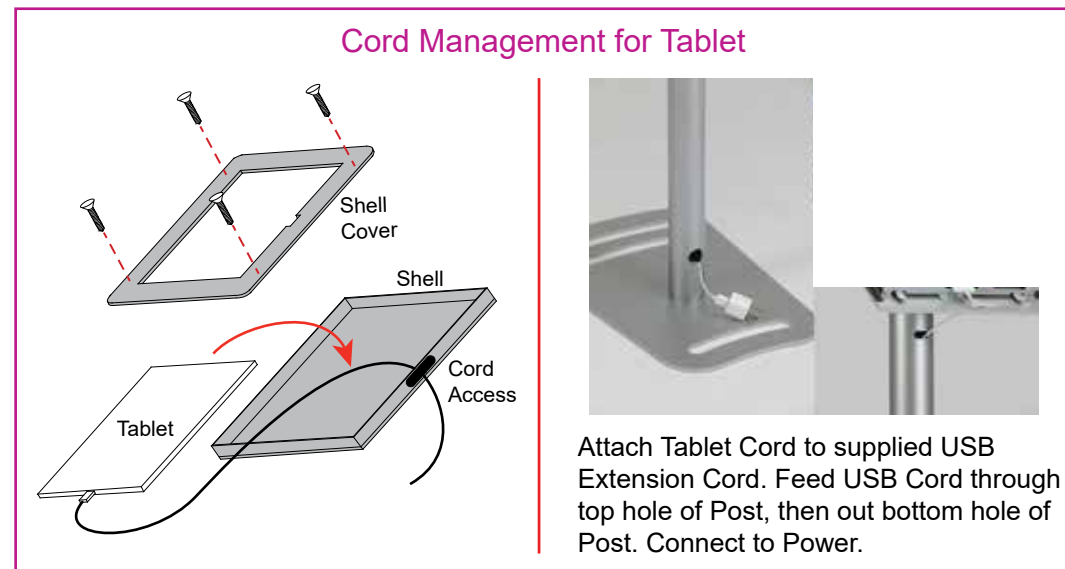
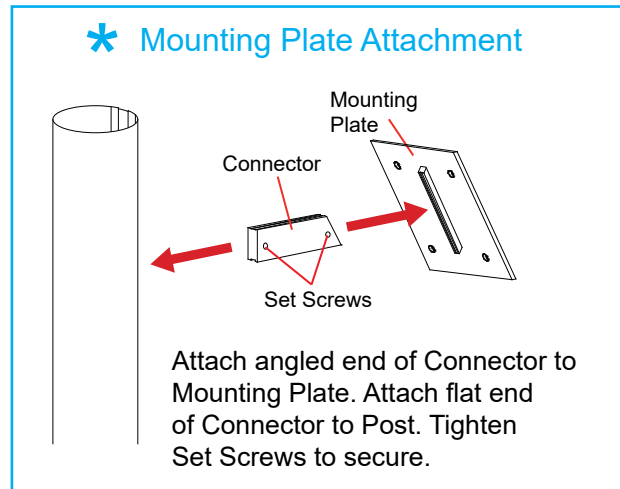
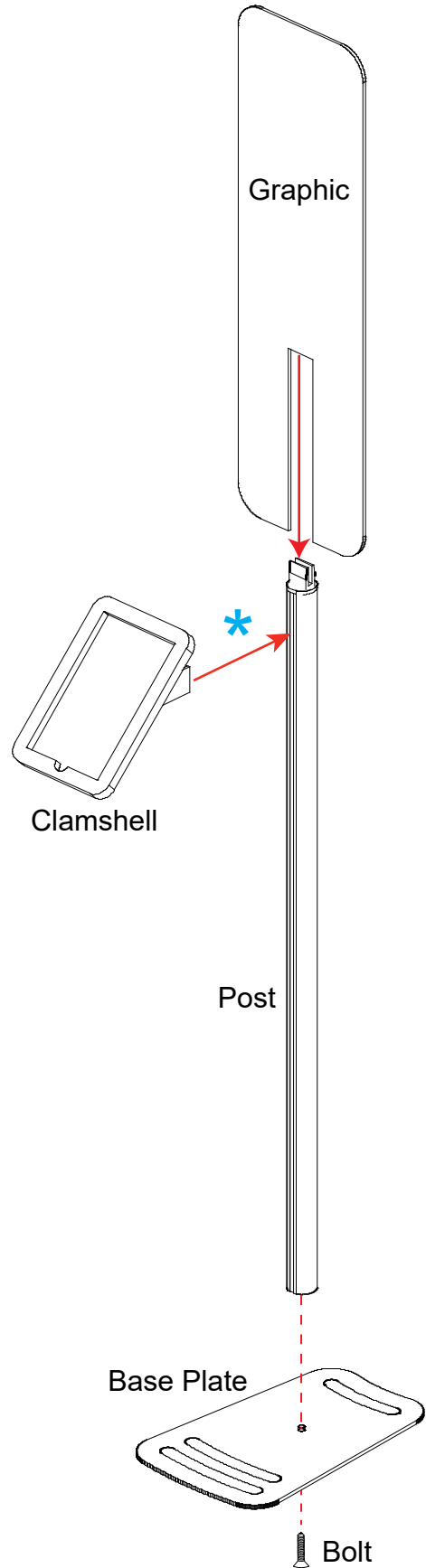
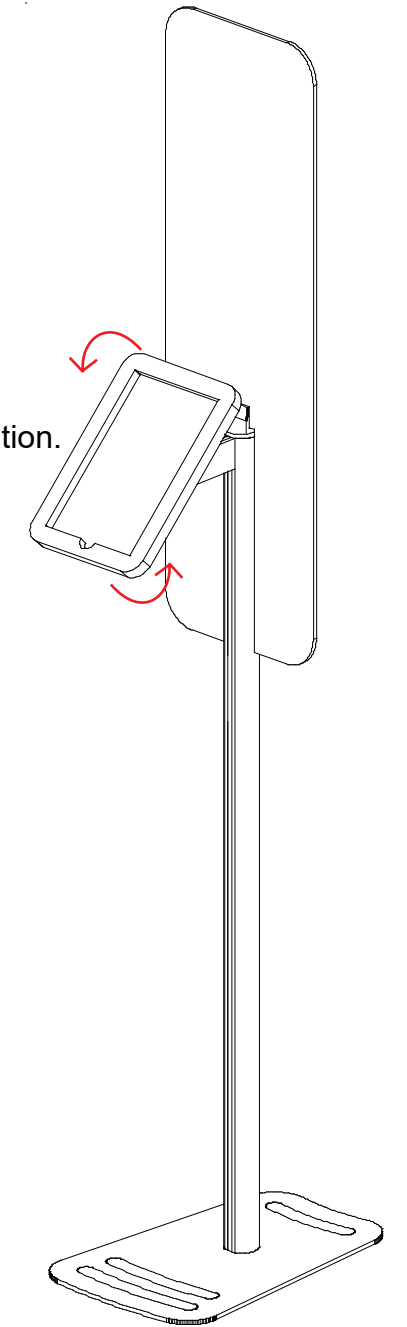


Steps:

- 1) Attach Base Plate to Post, using Bolt.
- 2) Attach Mounting Plate to Post. See [Mounting Plate Attachment](#) detail.
- NOTE: Mounting Plate must rotate left and right, before installing Shell.*
- 3) Attach Tablet Shell to Plate, using Hex Nuts.
- 4) Insert Tablet in Shell, then feed Cords through holes in Post.
- See [Cord Management for Tablet](#) detail.
- 5) Attach Graphic to clamp on top of Post. Tighten knob to secure.



Rotate Shell to turn Tablet from portrait to landscape orientation.



Completed Assembly

General Setup Instructions

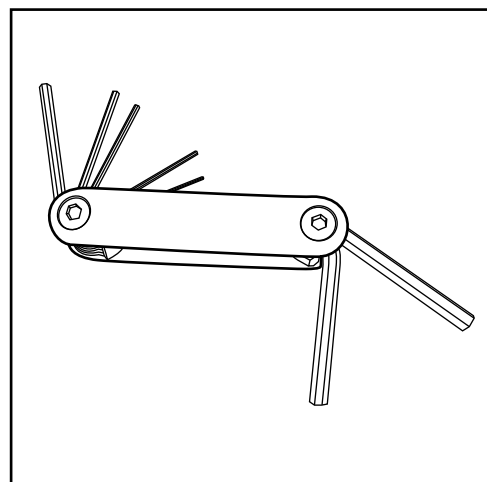
- Read entire setup instruction manual prior to unpacking parts and pieces.
- The setup instructions are created specifically for this configuration.
- Setup instructions are laid out sequentially in steps, including exploded views with detailed explanation for assembly.

Cleaning & Packing

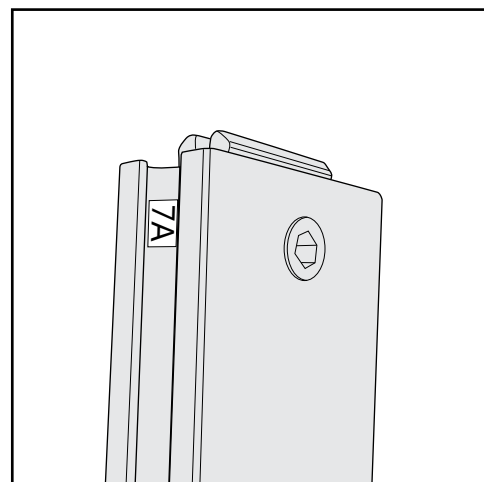
- For Cleaning Metal, Plex, & Laminate Parts: Use a **MILD NON-ABRASIVE** cleanser and soft cloth/paper towel to clean all surfaces.
- Keep exhibit components away from heat and prolonged sun exposure. **Heat and UV exposure will warp and fade components.**
- Retain all provided Packing Materials. All provided packing materials are for ease of repacking & component protection.

Disassembly

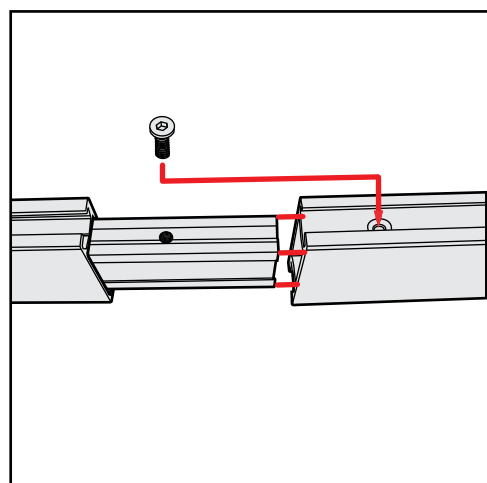
- For loss prevention, tighten all set screws and locks during disassembly.



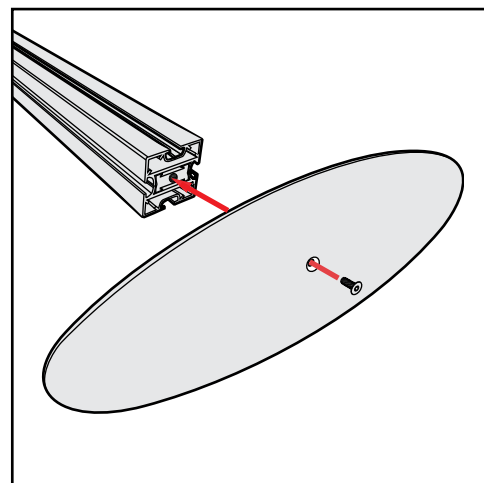
Hex Tool - Essential for Assembly



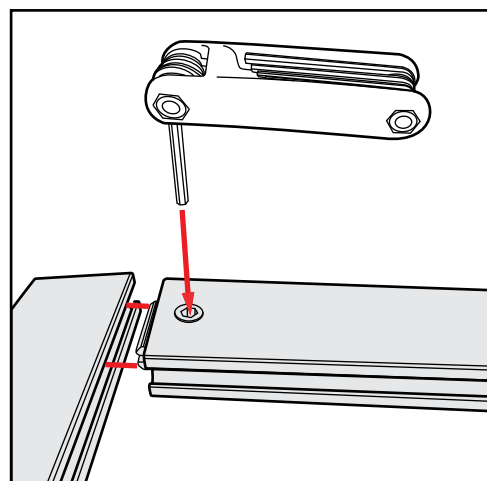
Part Identification - Numbering



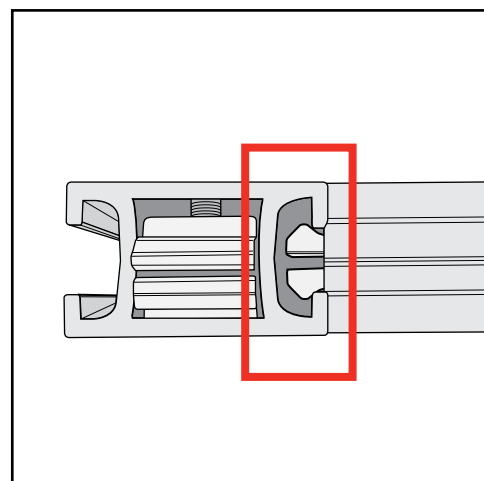
Spline Connection



Base Plate & Extrusion Connection



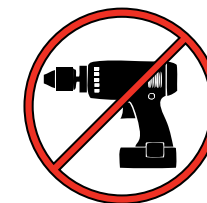
Extrusion & Lock Connection



Engaged Lock



WARNING



DO NOT USE POWER TOOLS

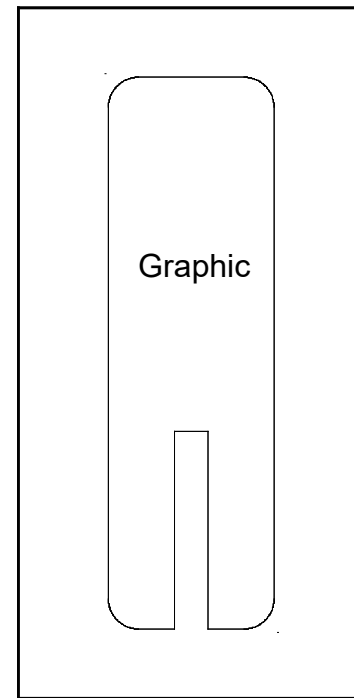


LADDERS OR LIFTS
MAY BE REQUIRED

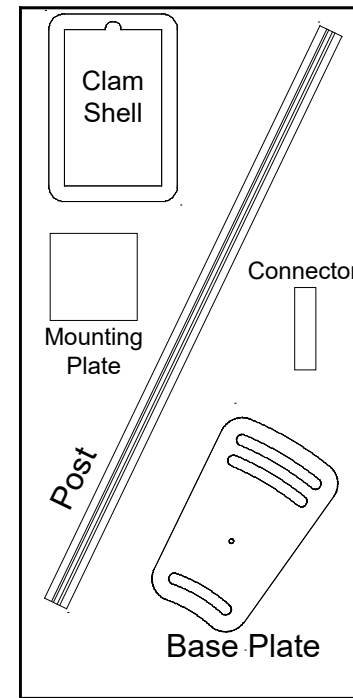


ALL CONNECTIONS MUST
BE TIGHTLY SECURED

Top View of Each Level



Level 1
(Bottom level)



Level 2

