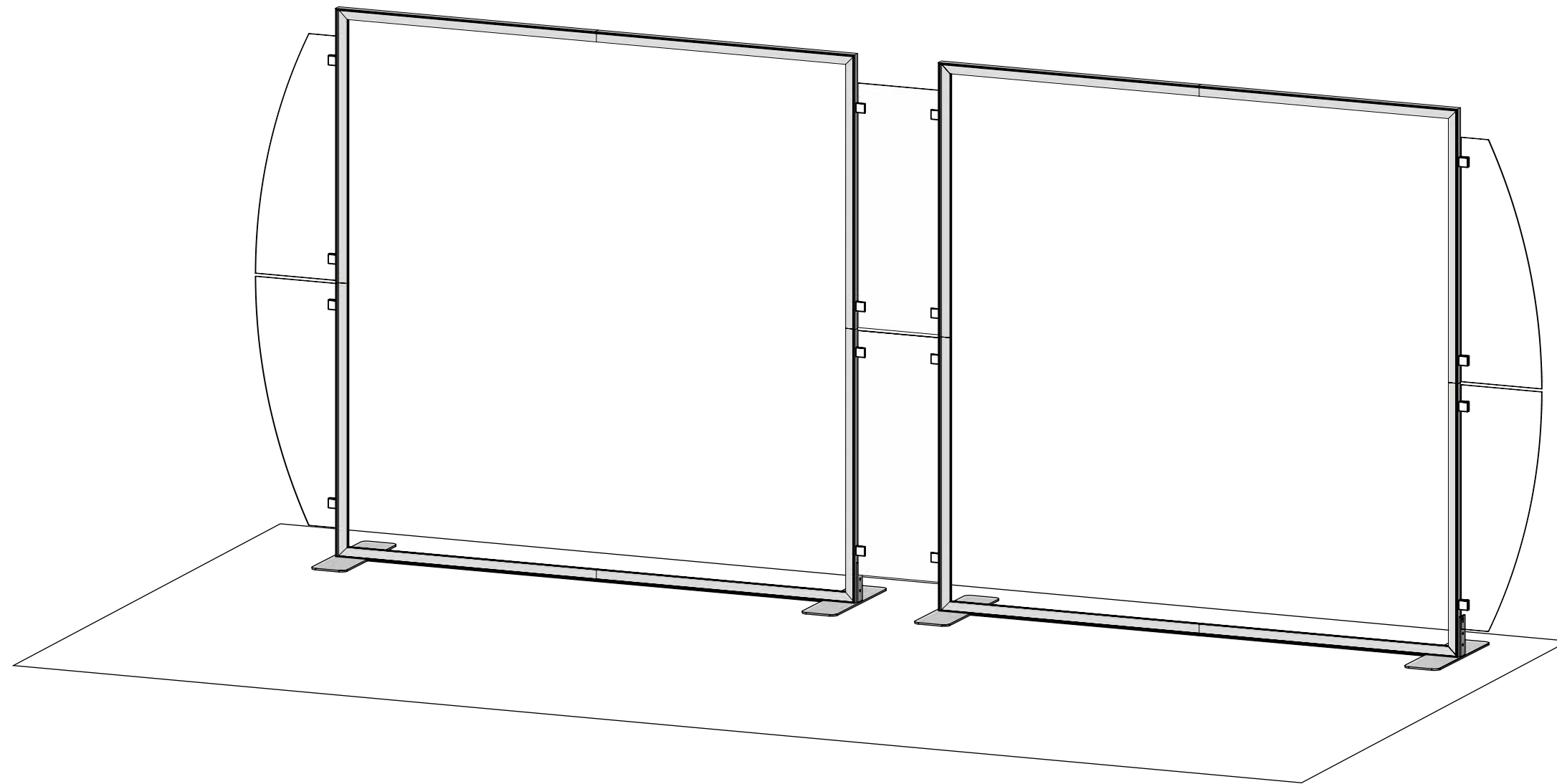


20'

Plan View

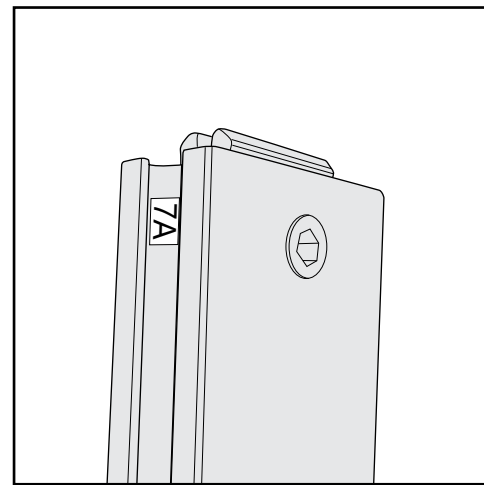
10'



SETUP INSTRUCTIONS

General Setup Instructions

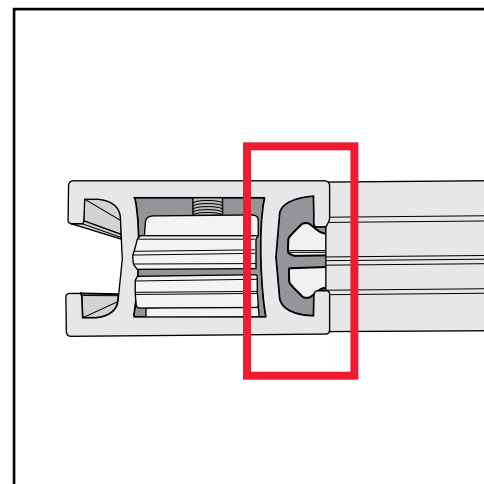
- Read entire setup instruction manual prior to unpacking parts and pieces.
- The setup instructions are created specifically for this configuration.
- Setup instructions are laid out sequentially in steps, including exploded views with detailed explanation for assembly.



Part Identification - Numbering

Cleaning & Packing

- For Cleaning Metal, Plex, & Laminate Parts: Use a **MILD NON-ABRASIVE** cleanser and soft cloth/paper towel to clean all surfaces.
- Keep exhibit components away from heat and prolonged sun exposure.
Heat and UV exposure will warp and fade components.
- Retain all provided Packing Materials. All provided packing materials are for ease of repacking & component protection.



Engaged Lock



WARNING



DO NOT USE POWER TOOLS



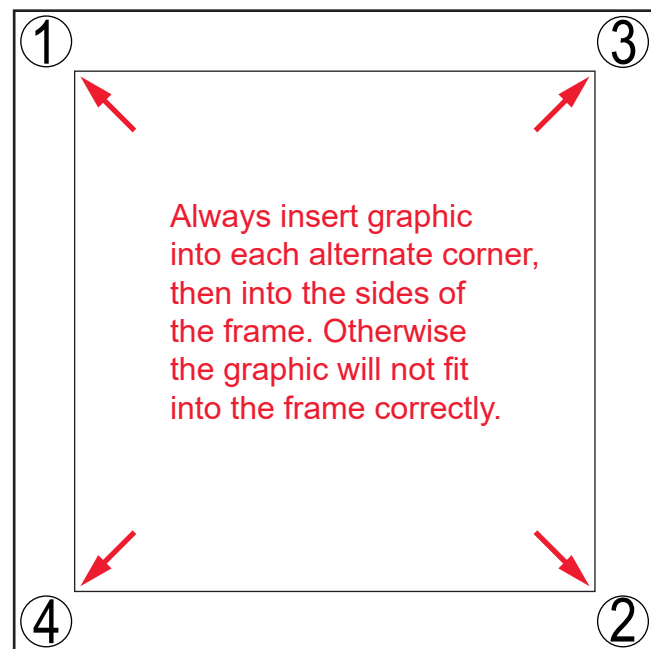
ALL CONNECTIONS MUST BE TIGHTLY SECURED

Disassembly

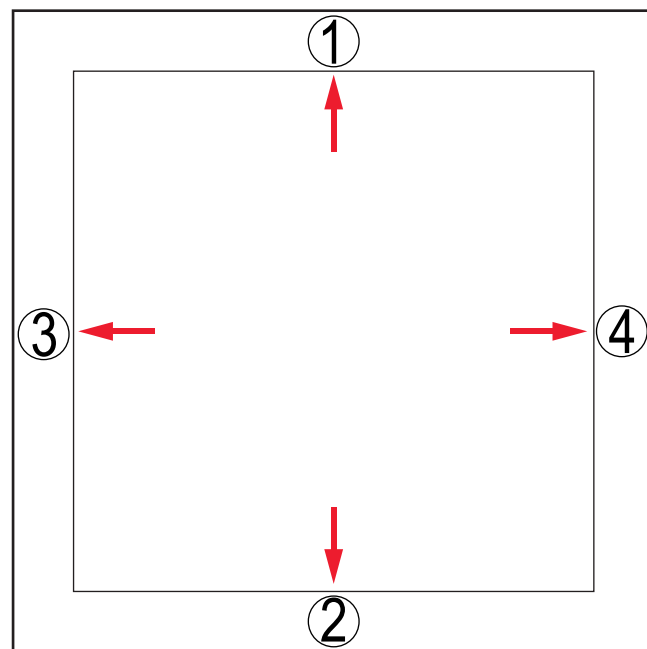
- For loss prevention, keep all knobs & connectors attached to extrusions during disassembly.

SEG Graphic Installation *in 3 Steps*

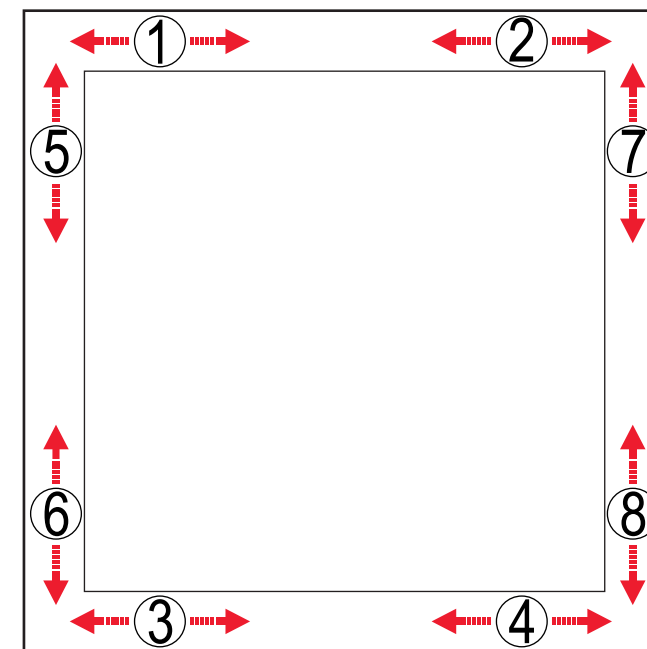
STEP 1: Attach Corners



STEP 2: Attach Middle



STEP 3: Attach Sides



Insert narrow side of silicone welt into the channel at corner 1, with fabric to the outside.

Repeat for opposite corner 2, then corner 3, then corner 4.

Once corners are attached, press the middle of edge 1 into the channel. Then press middle of edge 2 into the channel on opposite side.

Repeat with edge 3 & 4.

Once the middle of sides are attached, fully press the silicone welt into the channel, between center and corner at location 1. Repeat the process between center and corner at location 2.

Do the same for welt on opposite side, at locations 3 & 4. Then repeat for locations 5 & 6 and 7 & 8.

Once the welt is fully inserted on all sides, smooth out edges as needed for a perfect fit.

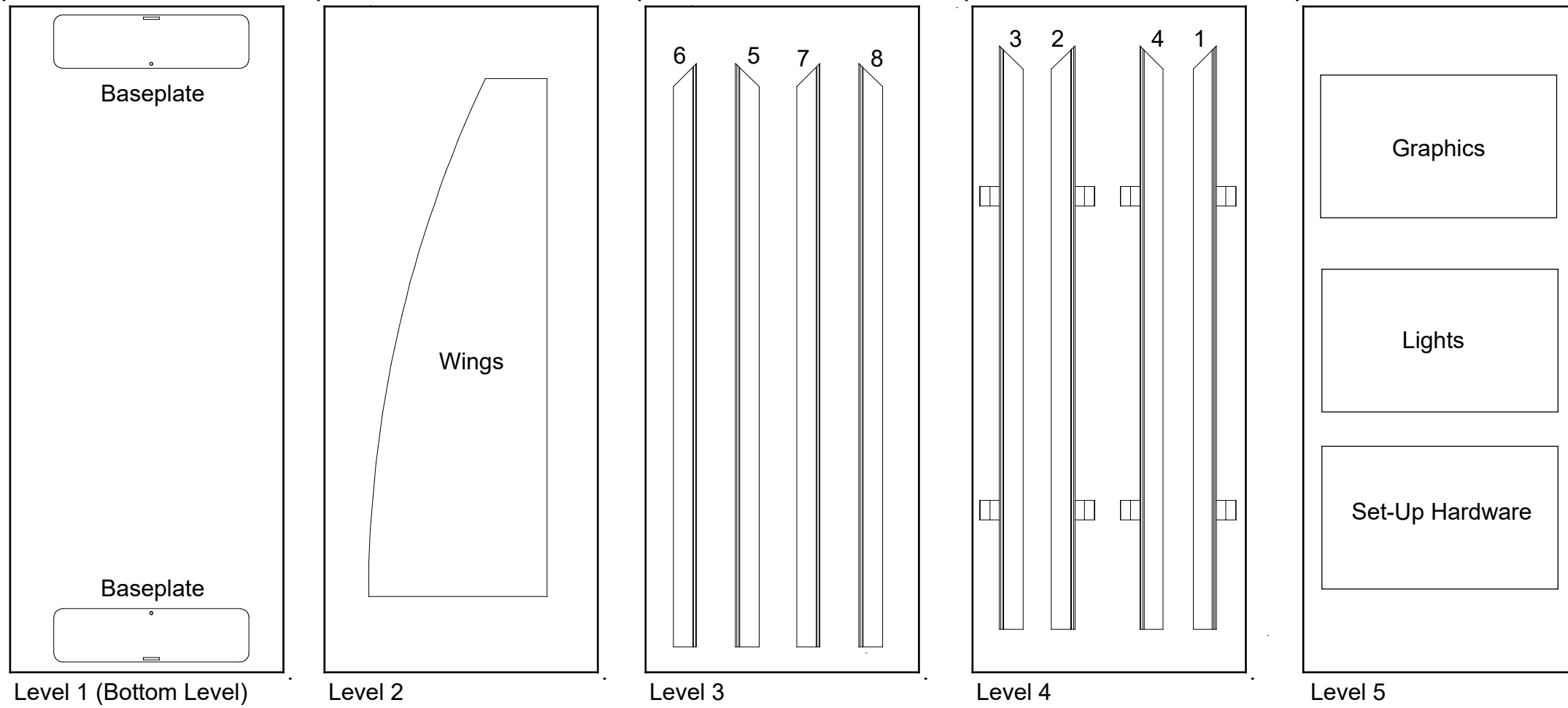


To remove the graphic from the frame, locate the fabric **pull tab**. Gently pull on the tab to remove the graphic.

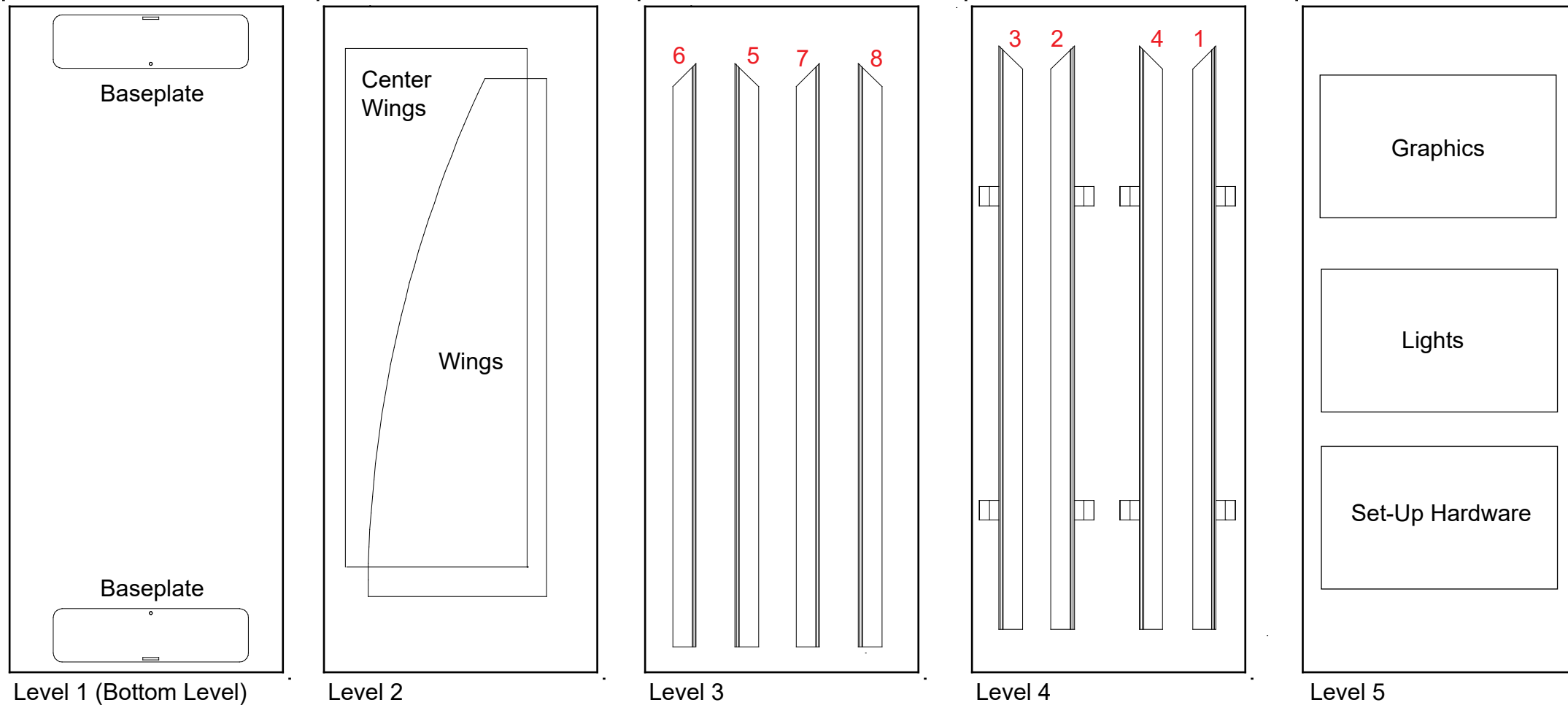
Install video:



Top View of Each Level



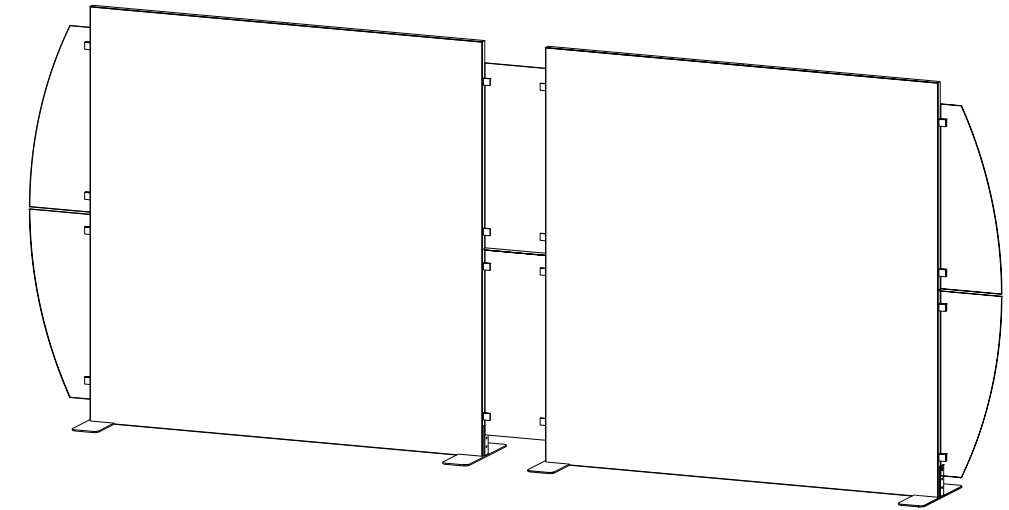
Top View of Each Level



| Item | Qty | Description |
|------|-----|------------------------------|
| 1 | 1 | 45" Vertical Extrusion |
| 2 | 1 | 45" Vertical Extrusion |
| 3 | 1 | 45" Vertical Extrusion |
| 4 | 1 | 45" Vertical Extrusion |
| 5 | 1 | 45" Horizontal Extrusion |
| 6 | 1 | 45" Horizontal Extrusion |
| 7 | 1 | 45" Horizontal Extrusion |
| 8 | 1 | 45" Horizontal Extrusion |
| - | 2 | Baseplate with Vertical Stem |

Setups:

- 1) Flat on the floor, assemble extrusions [1-2], [3-4], [5-6], [7-8] & [1-2], [3-4], [5-6], [7-8] together using straight **Spline Connectors**.
- 2) Still flat on the floor, connect vertical assemblies [1/2], [3/4] between horizontal assemblies [5/6], [7/8] using **Corner Connectors**. Repeat step, attaching [1/2], [3/4] between [5/6], [7/8].
- 3) Attach baseplates to both sides of assembled frame. See **Baseplate Attachment** detail. Raise Frames to upright position.
- 4) Apply SEG graphic to assembled frames. See General Information sheet **SEG Graphic Installation** detail.
- 5) Attach Wings to A10 clips. See **A10 Clamp Attachment** detail. Connect Left and Right assemblies with Center Infill panels, attach to A10 clips as shown.
- 6) Attach lights to top of frame. See **Light Attachment** detail.



Completed Assembly

*** Tool-less Corner Connector**

1. Slide extrusion onto Corner Connector.
2. Tighten all knobs to secure connection.

Keep corner connectors attached to horizontal extrusions.

*** Light Attachment**

Attach clamp of stem light to top of horizontal extrusion where desired.

Twist knob on back to tighten in place.

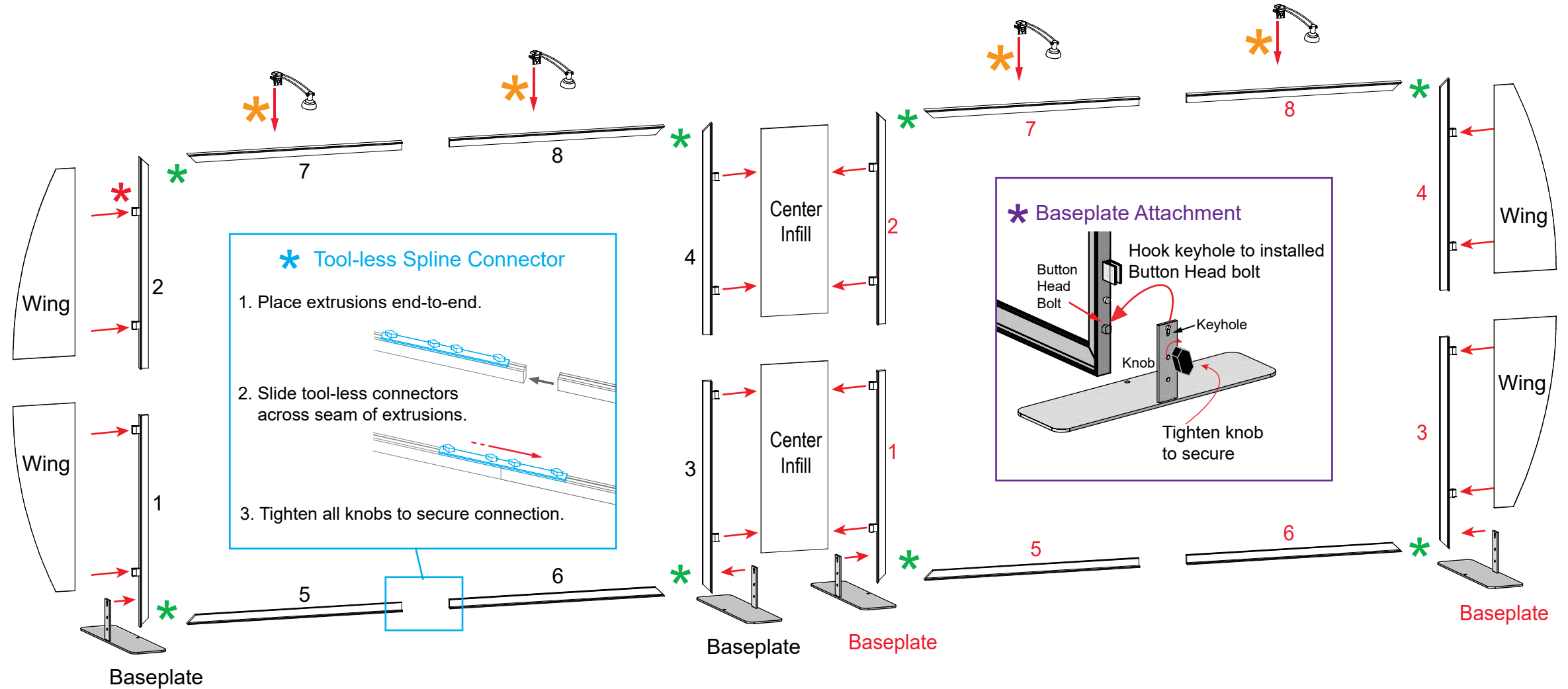
BACK VIEW

*** A10 Clamp Attachment**

Screw A10 clamp to Vertical Extrusion.

Tighten knob to secure Wing in place.

Clamps should NOT be removed. Leave attached when exhibit is packed.



Assemble frames flat on ground.