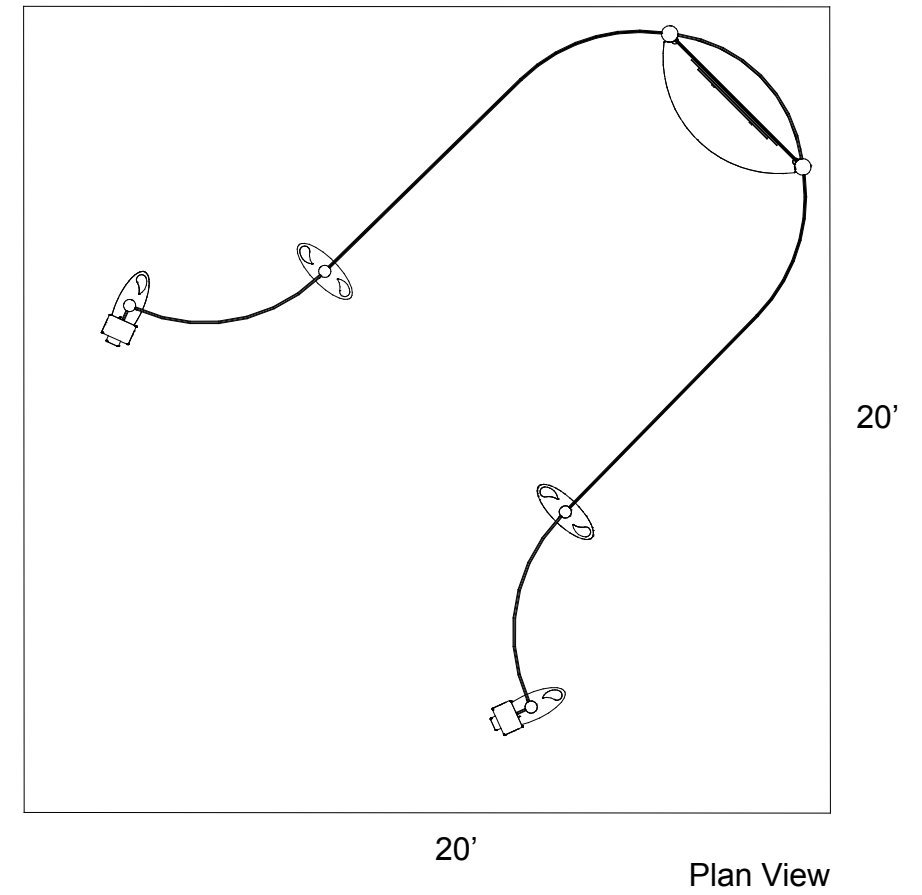
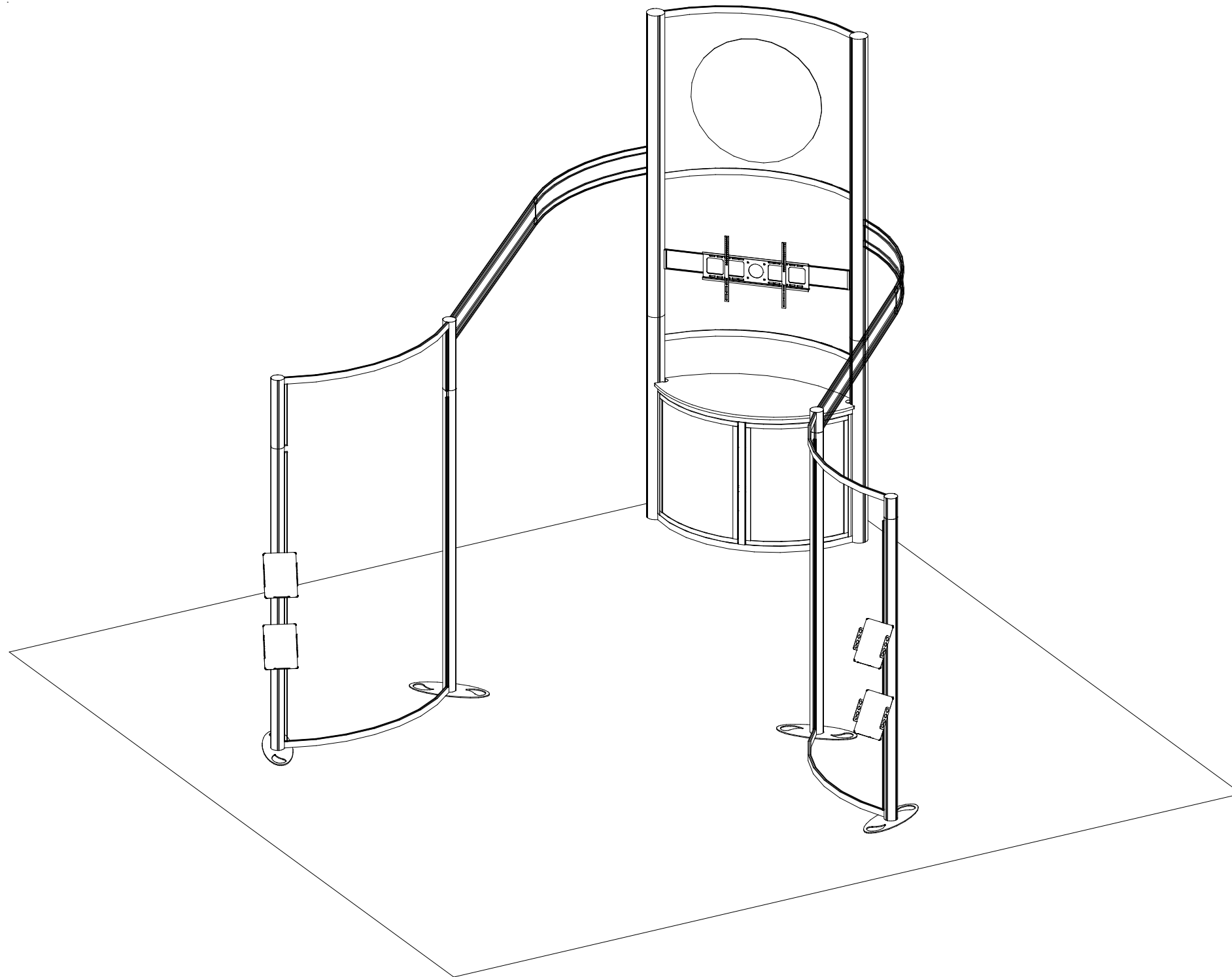


Order #XXXXX - ECO-4019 Sustainable Exhibit - 20'x20' Configuration



General Setup Instructions

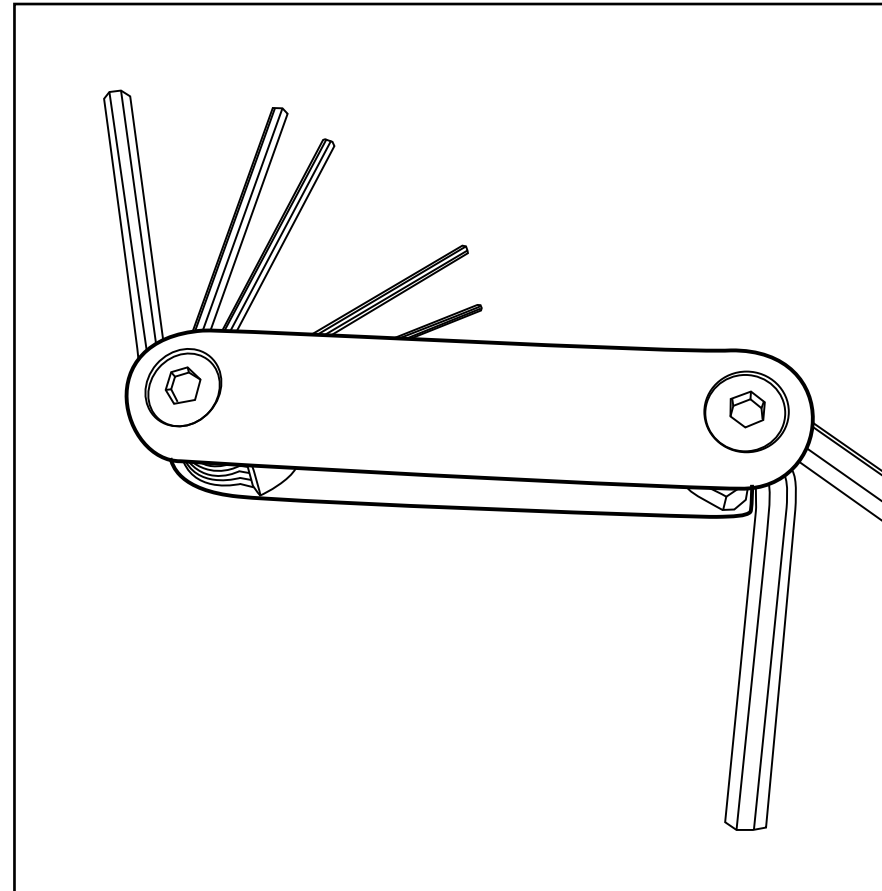
- The setup instructions are created specifically for your configuration.
- Setup instructions are laid out sequentially in levels, including exploded views and a logical series of steps for assembly. We encourage you to study the instructions before attempting to assemble your exhibit.

Cleaning and Packing

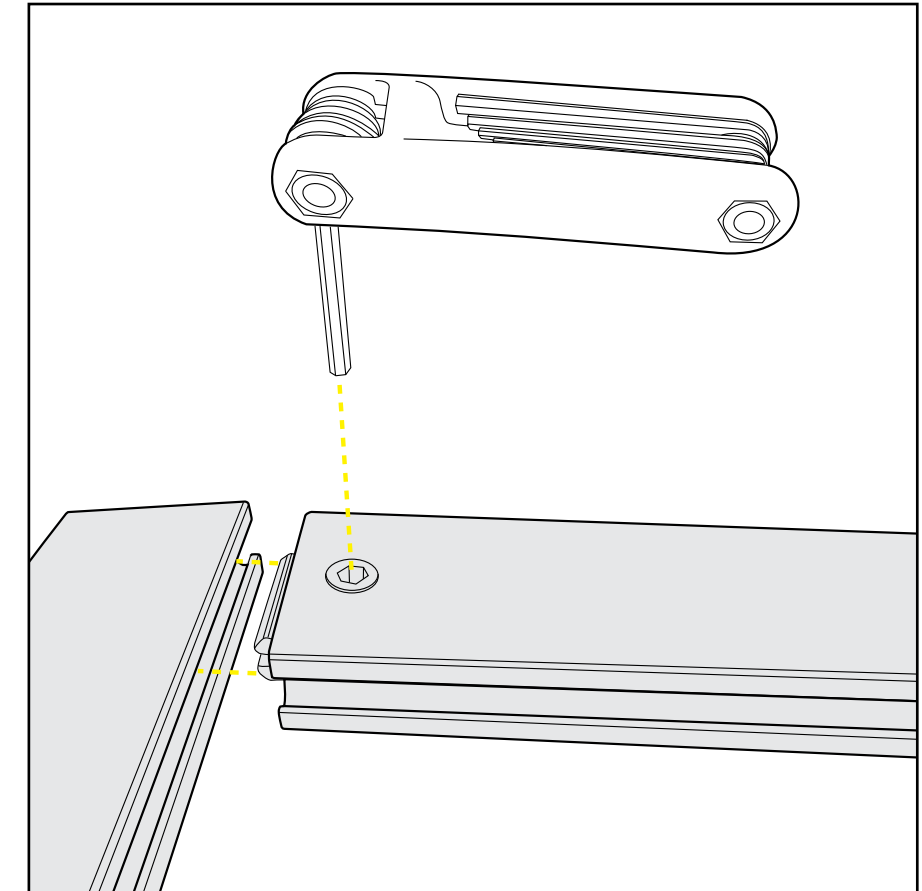
- Use non-abrasive cleaners when cleaning extrusions or ECO Glass inserts.
- Use mild cleaners and soft materials such as cotton to clean all laminates.
- Keep exhibit components away from extreme heat and long exposure to sun light. This will prevent warping and fading.
- Retain all packing material for ease of re-packing. This protects the exhibit components and keeps each part organized.

Disassembling

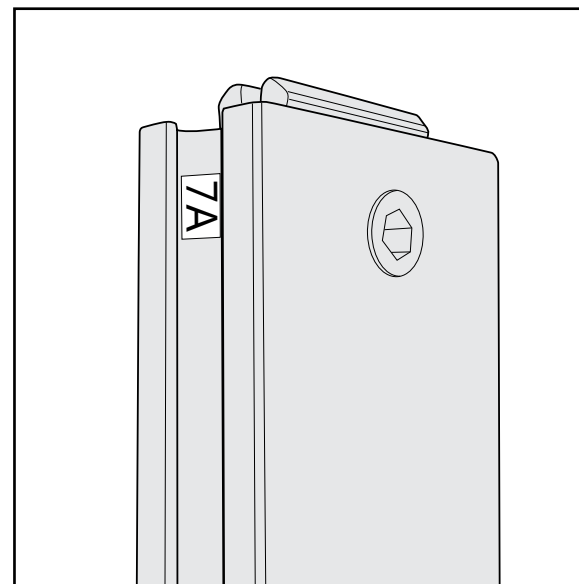
- When disassembling exhibit, tighten all setscrews to prevent loss of hardware in the shipping process.



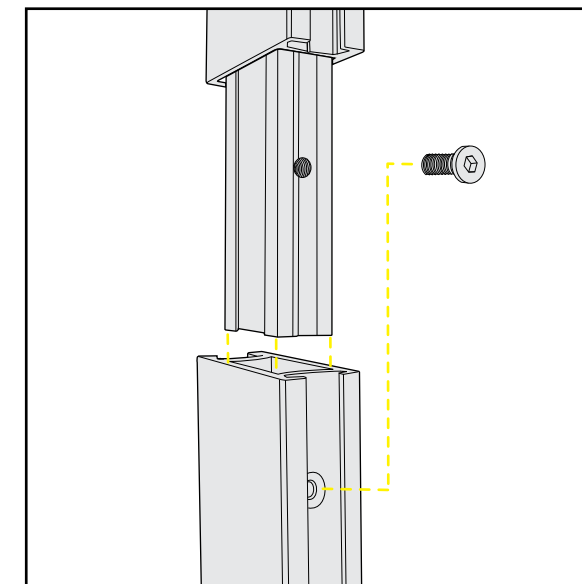
Hex Tool for Assembling Exhibit



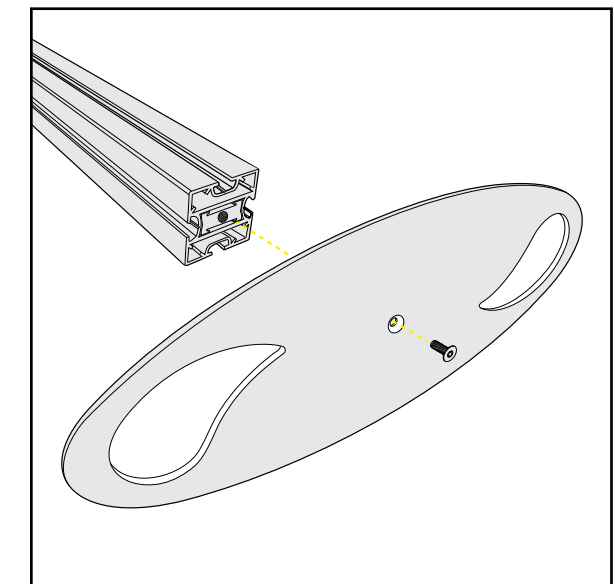
Extrusion Lock Connectors



Numbering Instructions for Setups/Packing



Inline Connection between Extrusions



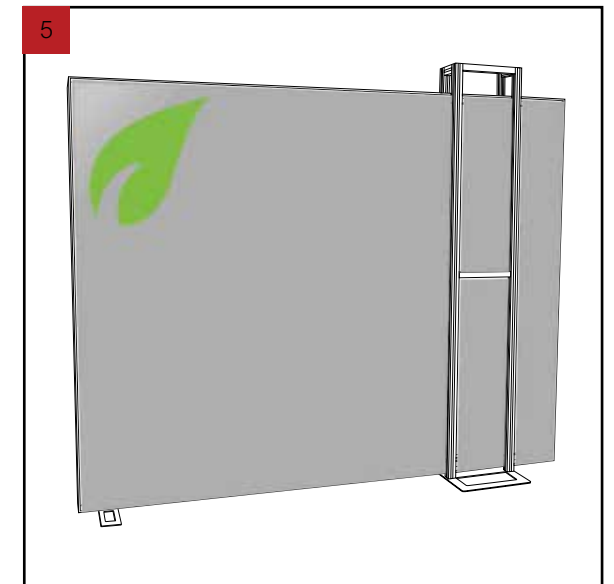
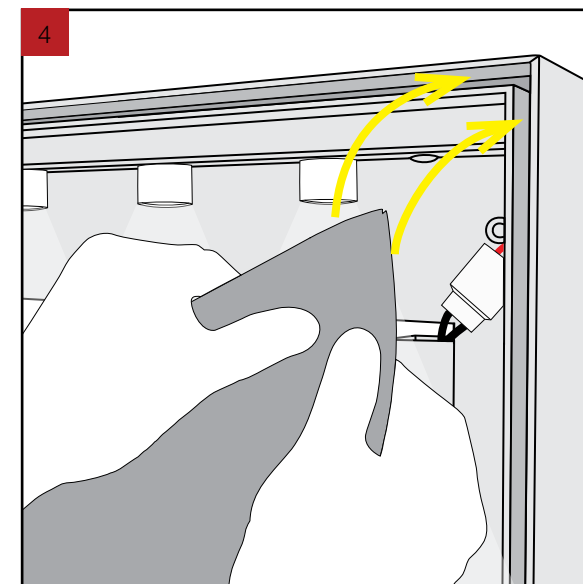
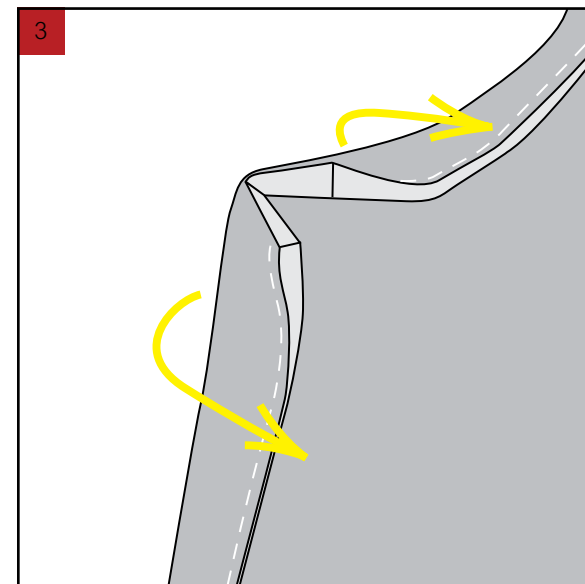
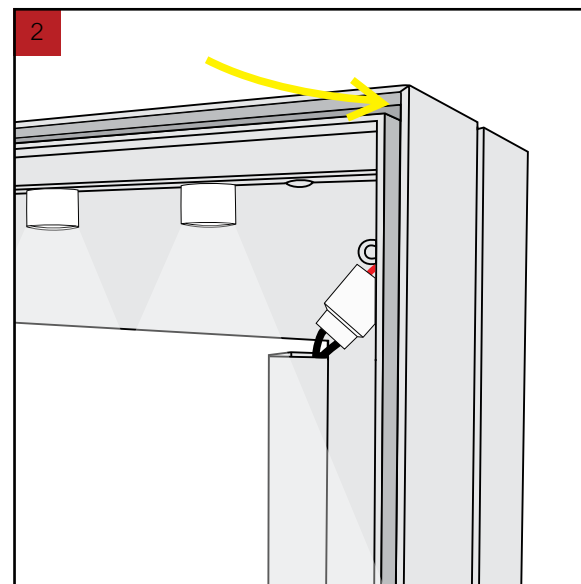
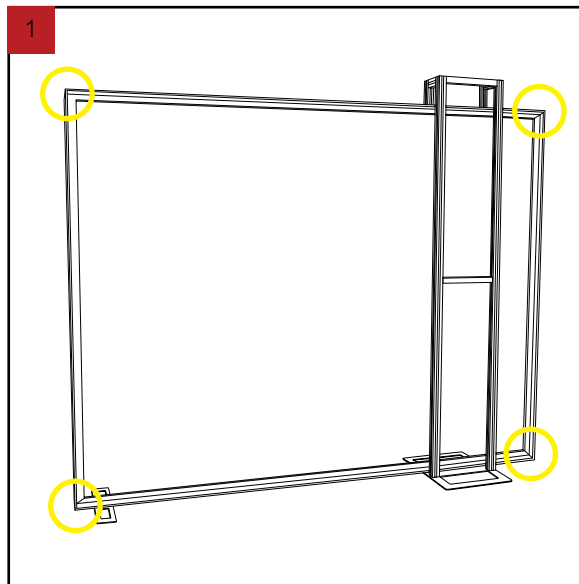
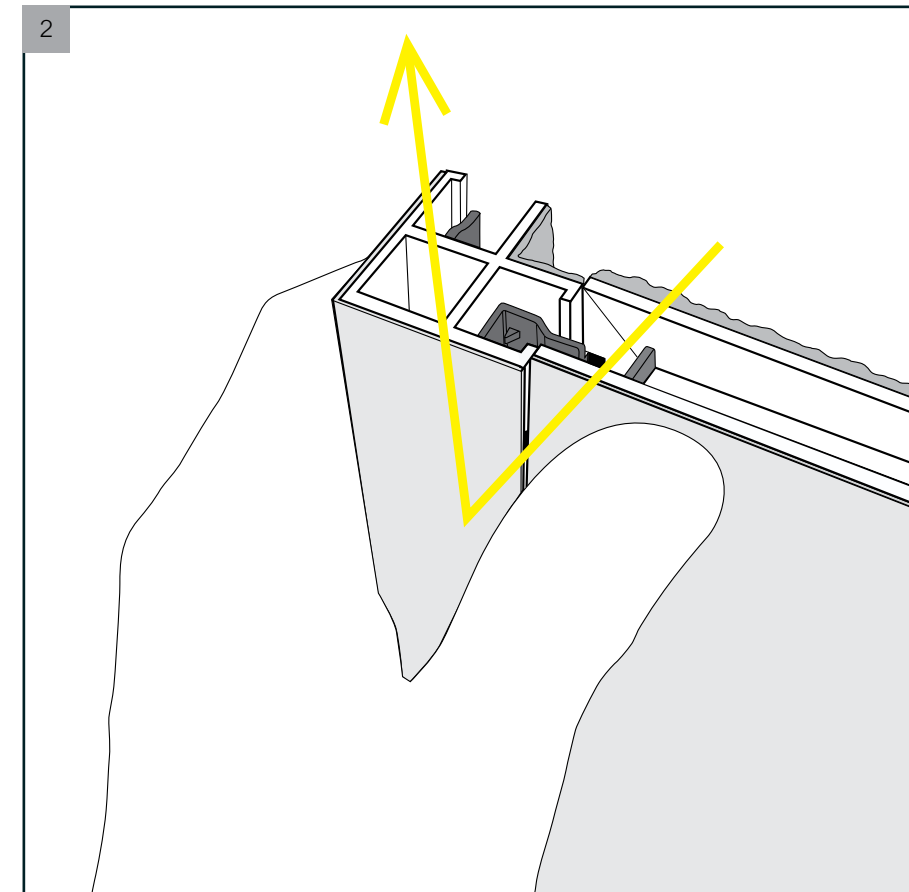
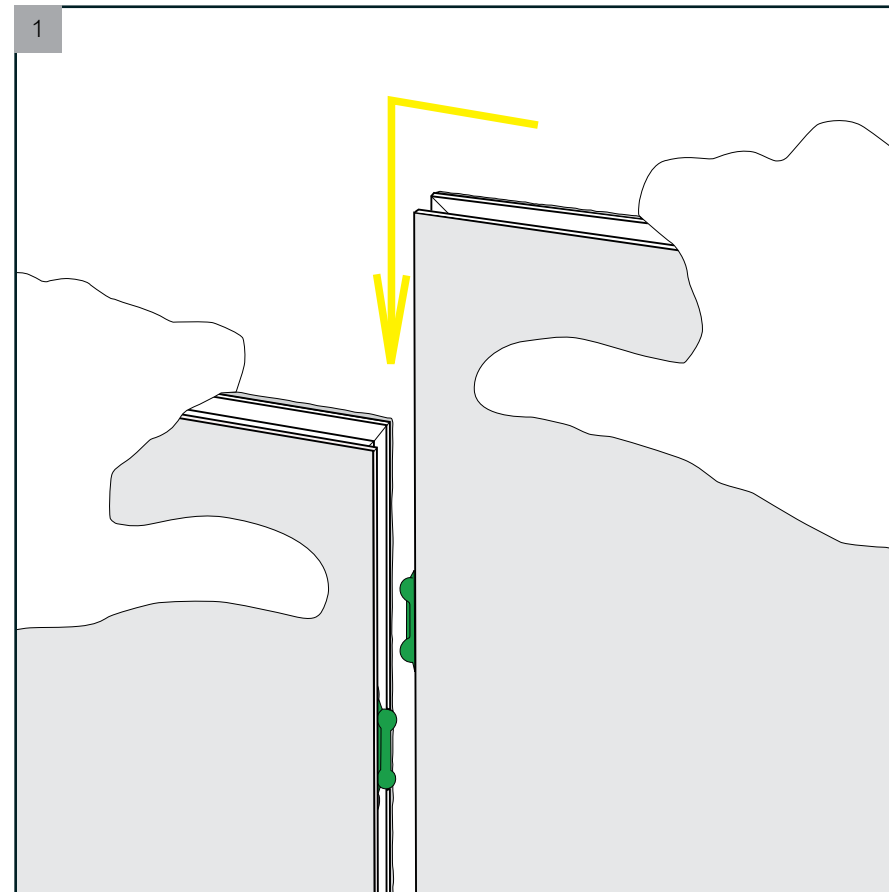
Baseplate Connection for Vertical Extrusions

ECO Panel Install

- 1 Place ECO panel together with a vertical offset, slide down to lock connector in place.
- 2 Panel Corner Connectors are installed just like ECO panels. Remove by off-setting top lock clips horizontally followed by separating vertically.

SEG Graphic Install

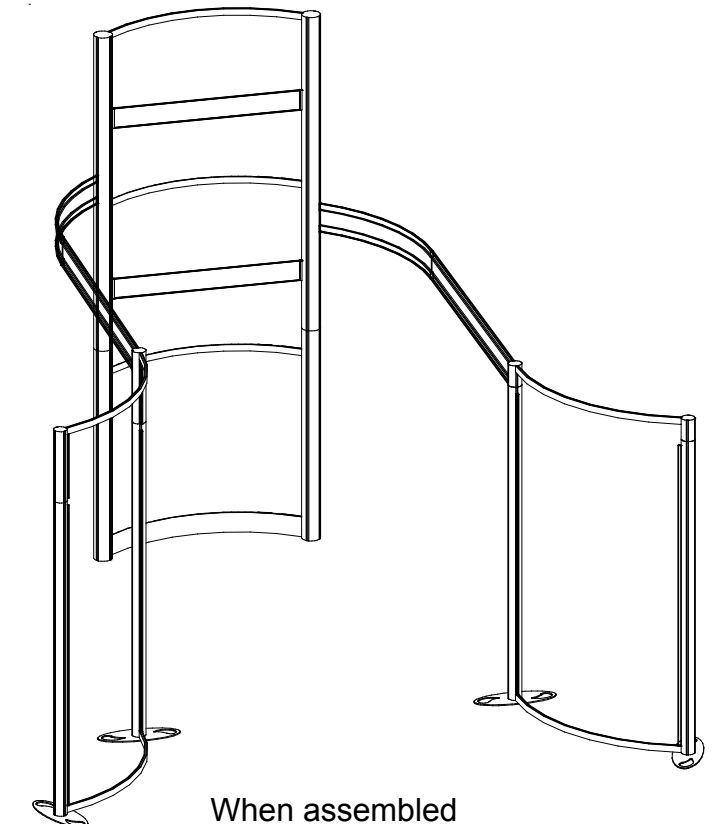
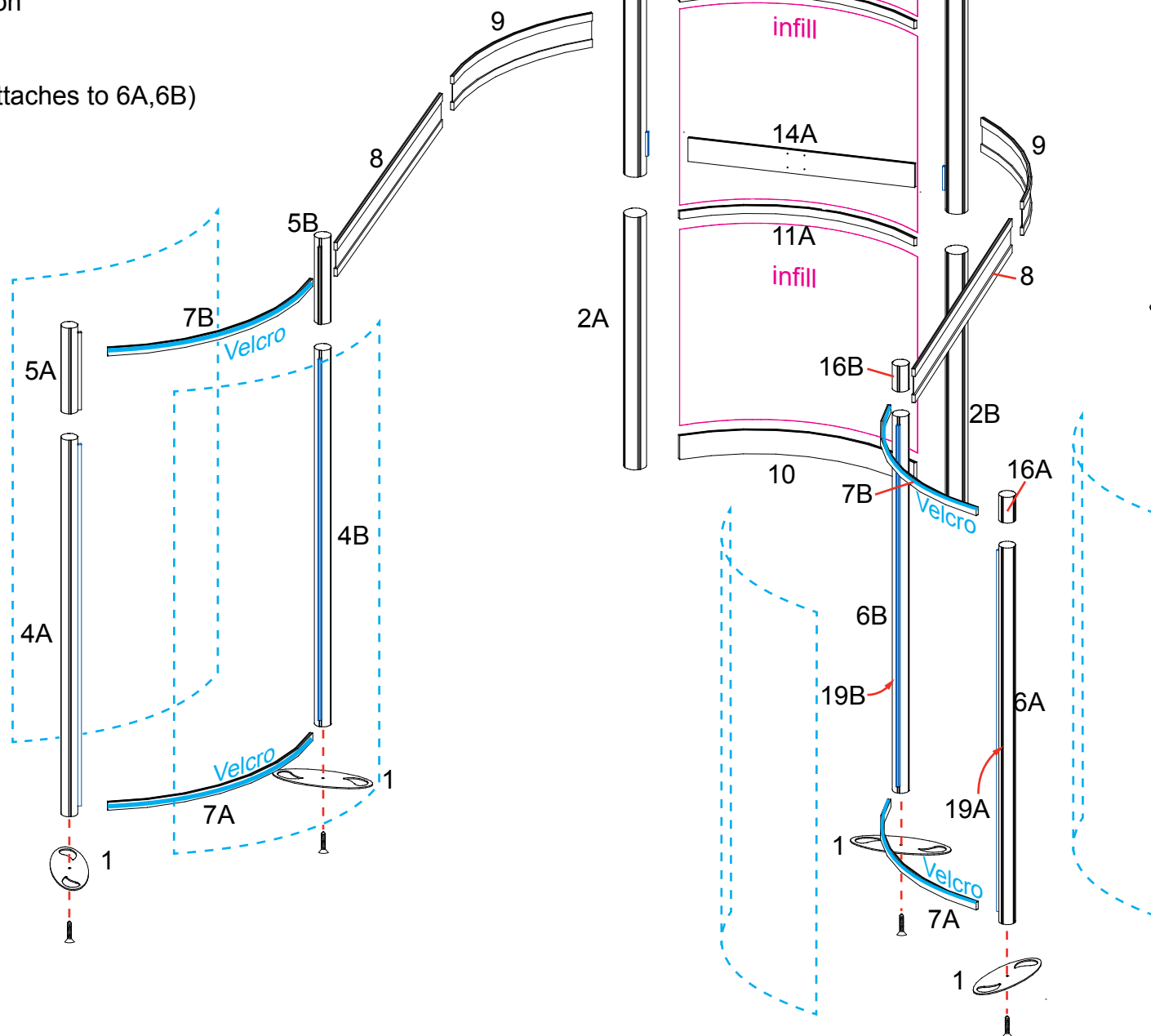
- 1 Graphic is installed corners first. This allows a proportional fit around the perimeter of the extrusion.
- 2 Locate channels along the edge of the extrusions.
- 3 Fold over graphic (hiding threads) and tuck silicon edge and fabric into corners.
- 4 After corners are complete, slide in the rest of the graphic into channel. (From edges to center)
- 5 Graphic is installed. Stand back and be amazed!



Item	Qty.	Description
1	4	Base Plate
2A/2B	1/1	59" h RR125/8 Vertical Extrusion w/ attached S11
3A/3B	1/1	88" h RR125/8 Vertical Extrusion
4A/4B	1/1	88" h RR91 Vertical Extrusion w/ attached S12/1
5A/5B	1/1	20" h RR91 Vertical Extrusion w/ attached S12/2
6A/6B	1/1	88" h RR91 Vertical Extrusion
7A/7B	2/2	60" Z45 Curved Horizontal Extrusion
8	2	80" w Z245 Horizontal Extrusion
9	2	46" Z245 Curved Extrusion
10	1	56.5" Z140 Curved Extrusion
11A/11B/11C	1/1/1	56.5" Z45 Curved Horizontal Extrusion
14, 14A	1,1	50" w Z140 Horizontal Extrusion
16A/16B	1/1	6" h RR91 Vertical Extrusion
19A/19B	1/1	84.417" h S12/1 Vertical Extrusion (attaches to 6A,6B)

Steps:

- 1) Connect verticals [2A-3A] & [2B-3B] together.
- 2) Attach horizontals [10, 11A, 11B, 11C] between vertical assemblies [2A/3A], [2B/3B]; inserting **infills** as shown.
- 3) Attach Base Plates [1] to bottom of verticals [4A, 4B, 6A, 6B] using bolts.
- 4) Connect verticals [4A-5A], [4B-5B], [6A-16A], and [6B-16B] together.
- 5) Attach vertical [19A] to vertical [6A]; connect vertical [19B] to vertical [6B].
- 6) Attach horizontals [7A, 7B] between vertical assemblies [4A/5A] & [4B/5B], and between vertical assemblies [6A/16A] & [6B/16B].
- 7) Assemble horizontals [8-9] together.
- 8) Connect assembly [4A/4B/5A/5B/7A/7B] to backwall vertical [3A] using horizontals [8-9].
- 9) Connect assembly [6A/6B/7A/7B/16A/16B] to backwall vertical [3B] using horizontals [8-9].
- 10) Attach **fabric graphics** to frame assemblies using Velcro.

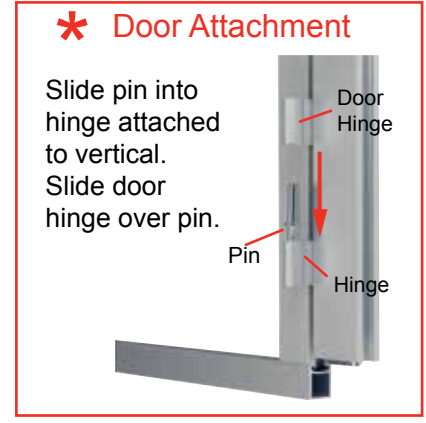
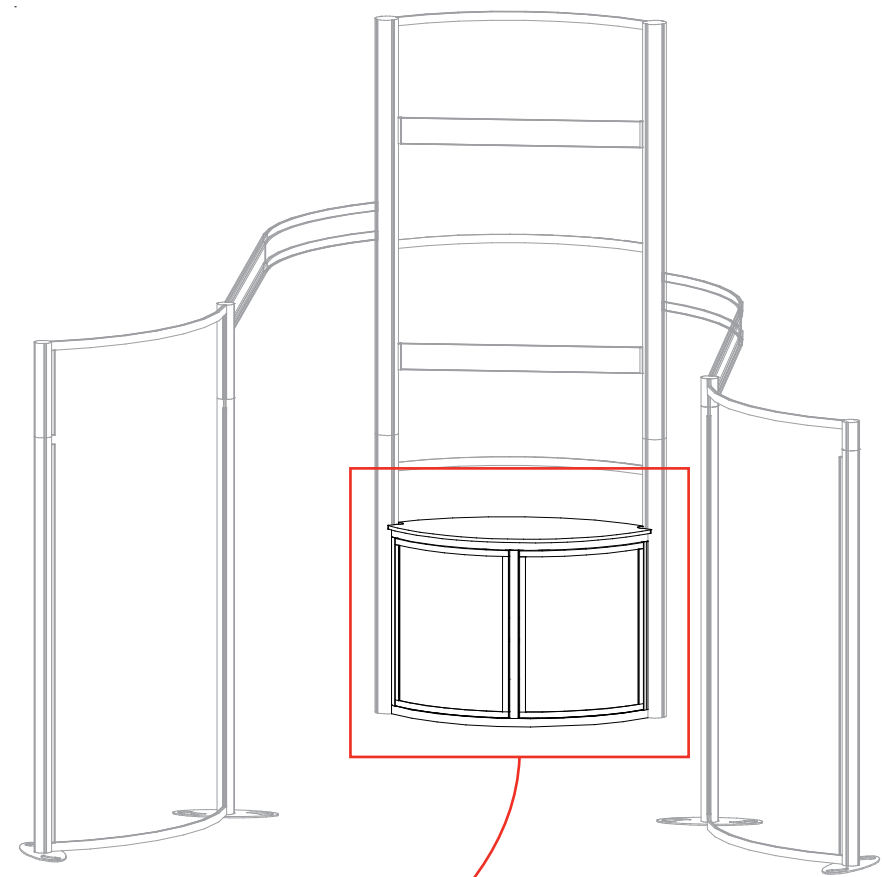
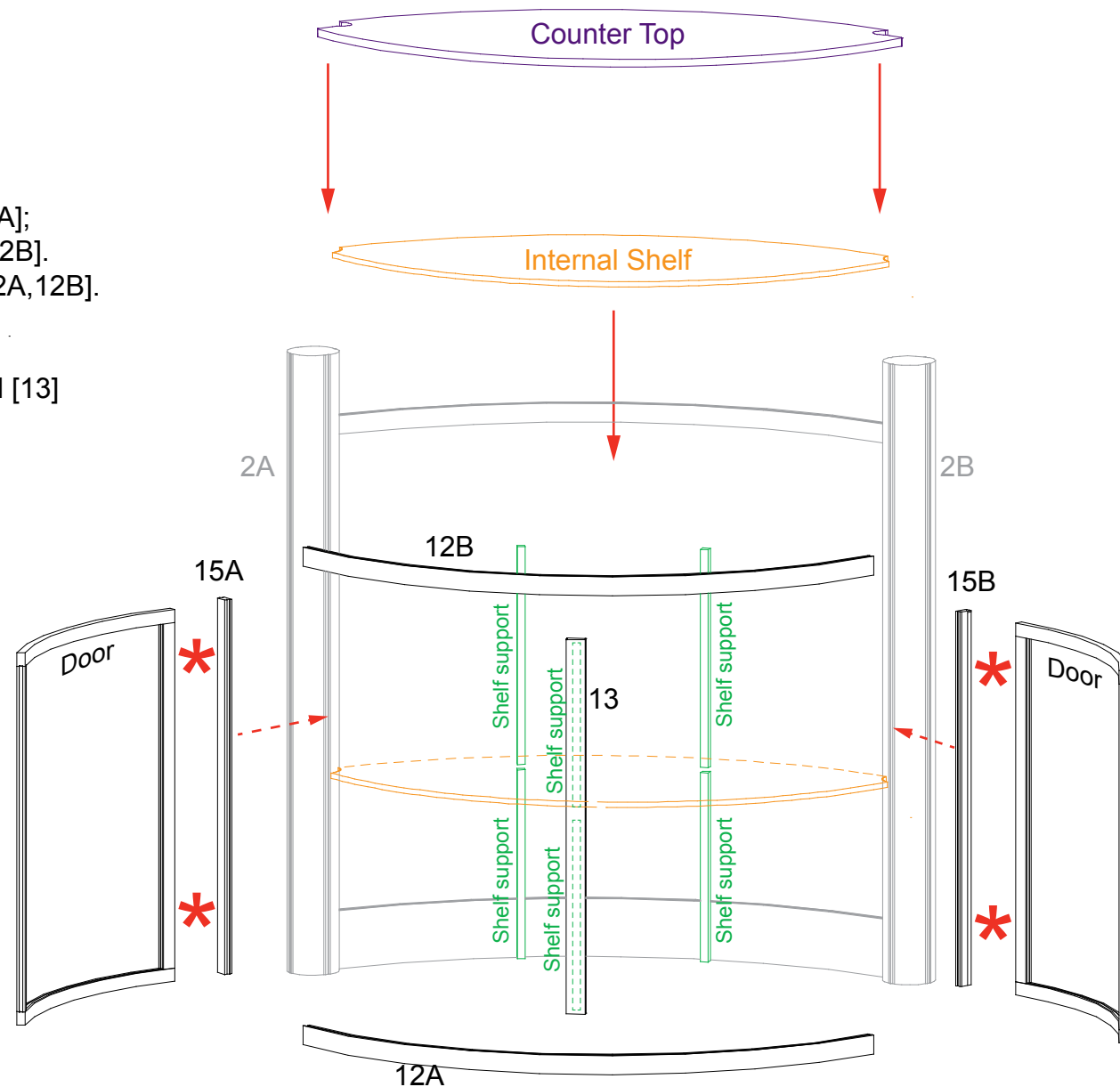


Step 1

Item	Qty.	Description
12A/12B	1/1	62.95" Z45 Curved Horizontal Extrusion
13	1	35.667"h Z45 Vertical Extrusion w/ Door Stoppers
15A/15B	1/1	35.667"h Z33 Vertical Extrusion w/ Door Hinges

Steps:

- 1) Connect curved horizontals [12A,12B] to backwall verticals [2A,2B].
- 2) Attach vertical [15A] to backwall vertical [2A]; connect vertical [15B] to backwall vertical [2B].
- 3) Attach vertical [13] between horizontals [12A,12B].
- 4) Install Doors to verticals [15A,15B]. See Door Attachment detail.
- 5) Attach shelf supports to backwall & vertical [13] using Velcro.
- 6) Place Internal Shelf & Counter Top.



- Steps:
- 1) Install Monitor Mount to horizontal [14A].
See **Monitor Mount Attachment** detail.
 - 2) Attach circular header graphic to upper horizontal [14], using **Velcro**.
 - 3) Connect Pamphlet Trays to verticals [4A,6A].
See **Pamphlet Tray Attachment** detail.
 - 4) Attach lights to upper horizontals as shown.
See **Light Attachment** detail.

